

-  infrared multi touch screen
-  24/7 usage
-  easy usb to pc set up
-  windows OS compatible
-  multiple inputs
-  HD high definition
-  commercial touch screen
-  image, video & music
-  eco-friendly power timer
-  remote control
-  freestanding
-  wide viewing angle

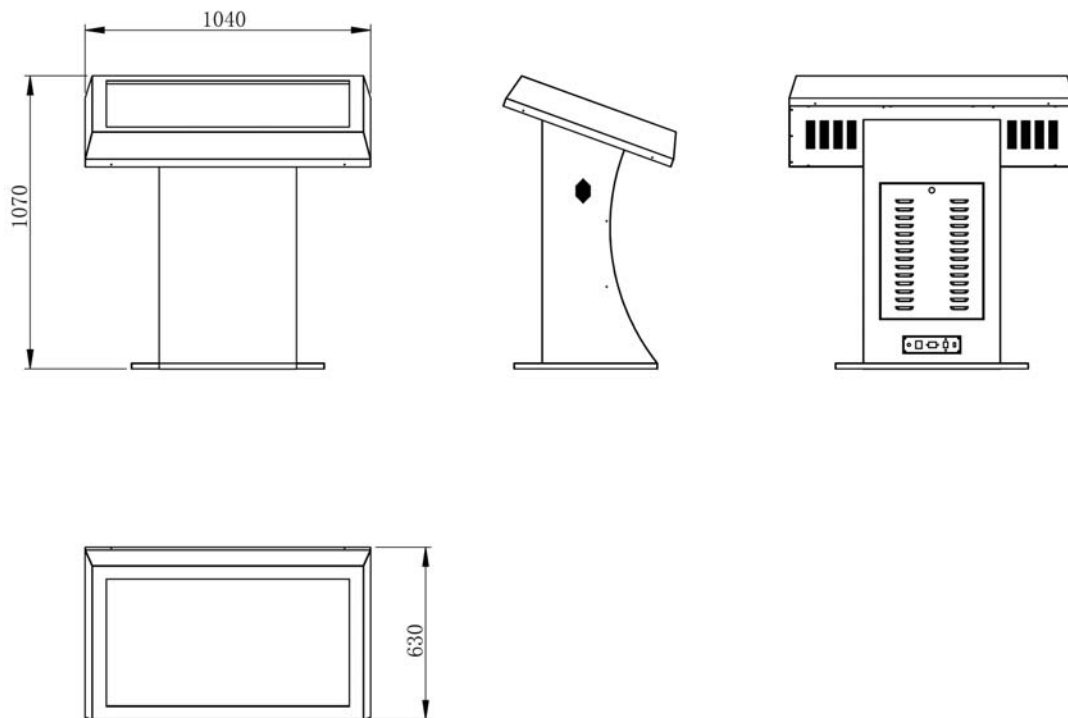
The new range of Infrared Multi Touch Displays come in freestanding and wall mountable versions. Portrait and Landscape orientations are possible across the range.

All displays use an infrared multi touch screen system which is ideal for public locations as a finger, gloved hand, pen or stylus can be used as a pointer. Activating the screen requires no pressure so will incur less damage over time. Unlike capacitive touch screens, infrared touch screens do not require any glass patterning. Not only does this improve optical clarity, it also increases its durability. The Multi Touch Screen Displays' protective glass has a Mohs hardness rating of 7, giving it the same hardness as Quartz.

Touch Screen Display Comparison				
	Infrared	Resistive	Surface Acoustic Wave	Capacitive
Touch Resolution	High	High	Average	High
Clarity	High	Average	High	High
Operation	Finger or stylus	Finger or stylus	Finger or soft-tipped stylus	Finger only
Durability	Highly durable	Damaged by sharp objects	Damaged by dirt & moisture	Affected by some cleaners

“These interactive displays are simple to use and have many exciting applications.”

40" Freestanding Multi Touch Screen Display



40" Freestanding Infrared Multi Touch Screen Display	
Unit Size (WxHxD mm)	1040x1070x630
Display Area (mm)	887.17x499.66
Aspect Ratio	16:9
Resolution	1920x1080
Brightness (cd/m ²)	500
Contrast Ratio	5000:1 typ
Viewing Angle	178°
Colour	16.7M
Response Time (ms)	8
Colour Temperature	10000k
Life Time (hours)	50000
Power Consumption (W)	240
Inputs	VGA, HDMI, DVI, YPbPr, Video IN, RGB/HV
Outputs	Video, Audio
Touch Resolution (interpolation)	4096x4096
Operating System	Windows7, Windows2000/XP/2003/Vista/CE
Response Time (ms)	≤16
Power	<2W
Ports (inputs)	USB
Typical Touch Accuracy (mm)	≥5.2
Voltage	+4.75VDC-5.25VDC
Operating Temperature	-20°to 60°



HANTAREX INTERNATIONAL LIMITED

34 Salisbury Street
 Marylebone
 London NW8 8QE
 Te;: 0044(0)20 8778 1414
 e-Mail: sales@hantarex.com